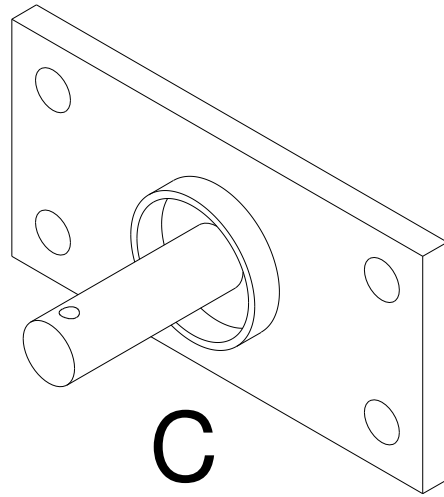
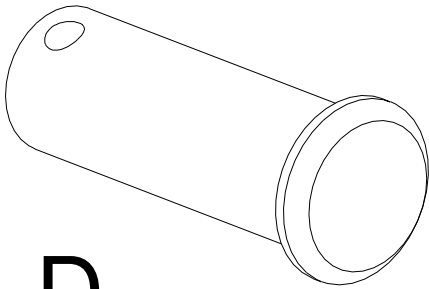


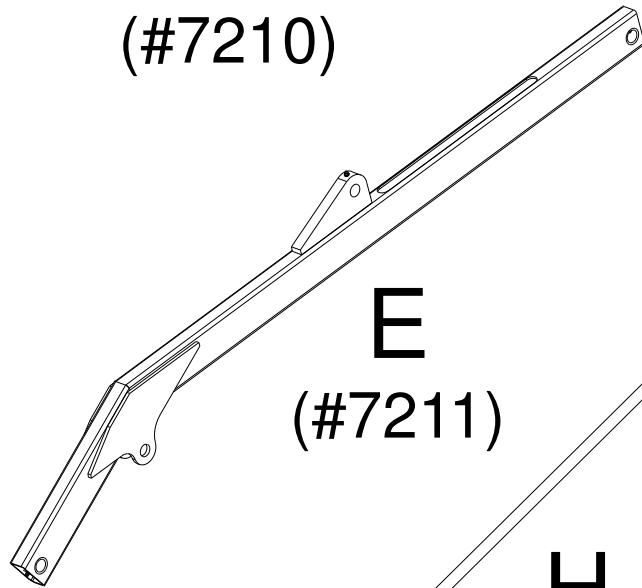
B
(#7213)



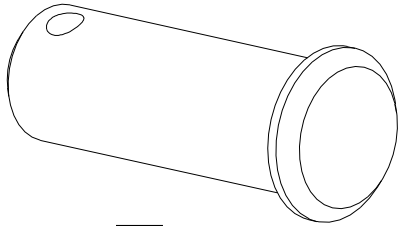
C
(#7210)



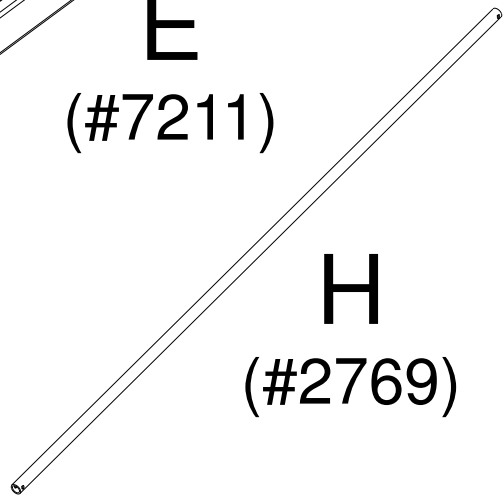
D
(#2744)



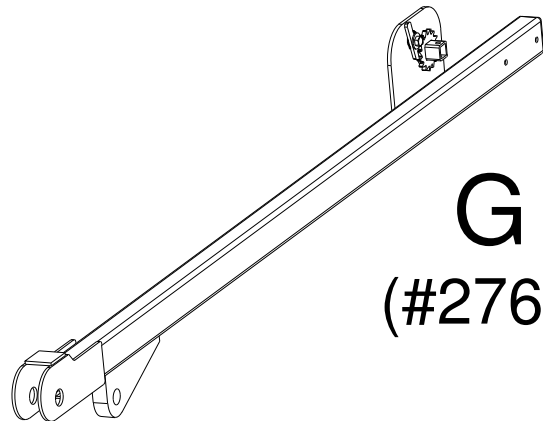
E
(#7211)



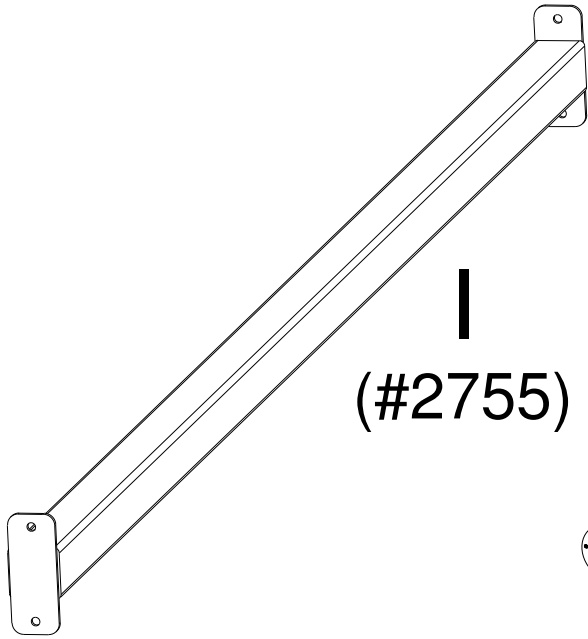
F
(#2733)



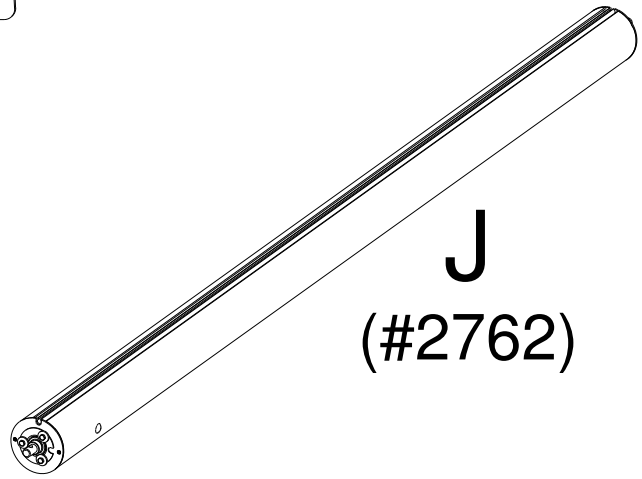
H
(#2769)



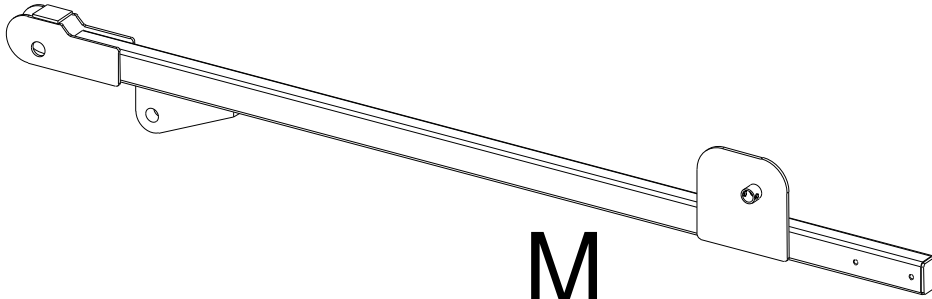
G
(#2760)



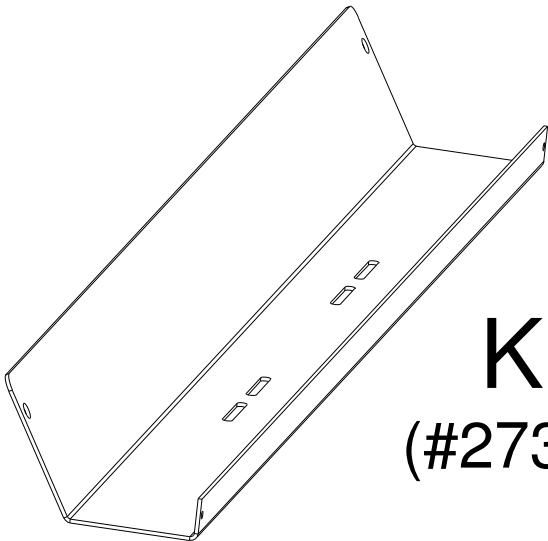
I
(#2755)



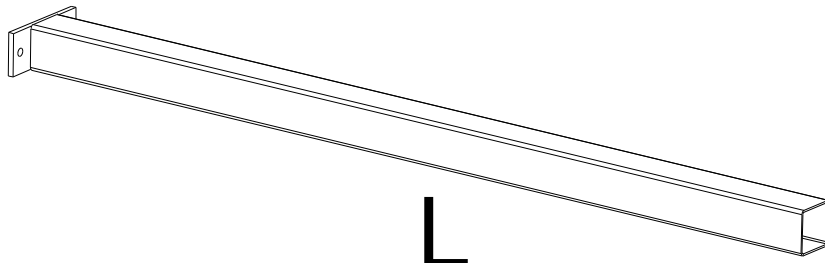
J
(#2762)



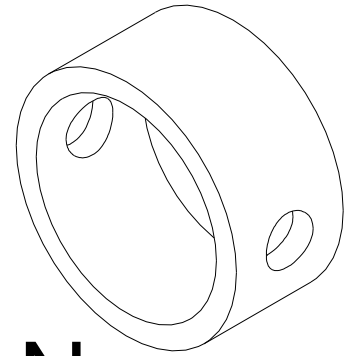
M
(#2758)



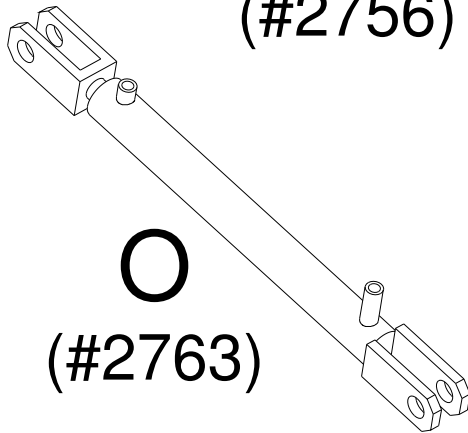
K
(#2731)



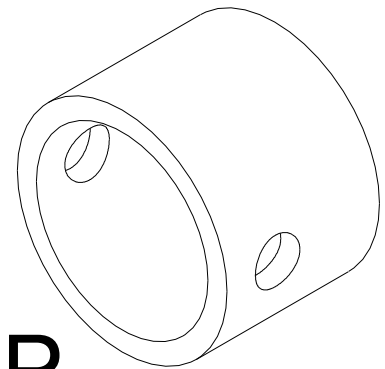
L
(#2756)



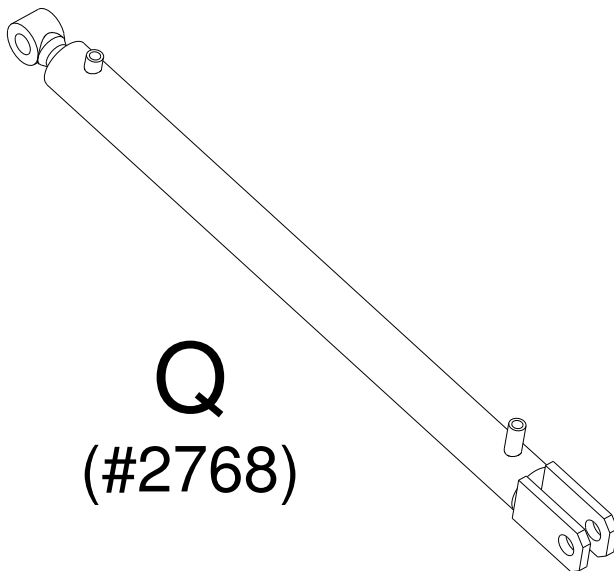
N
(#2735)



O
(#2763)



P
(#7212)



Q
(#2768)