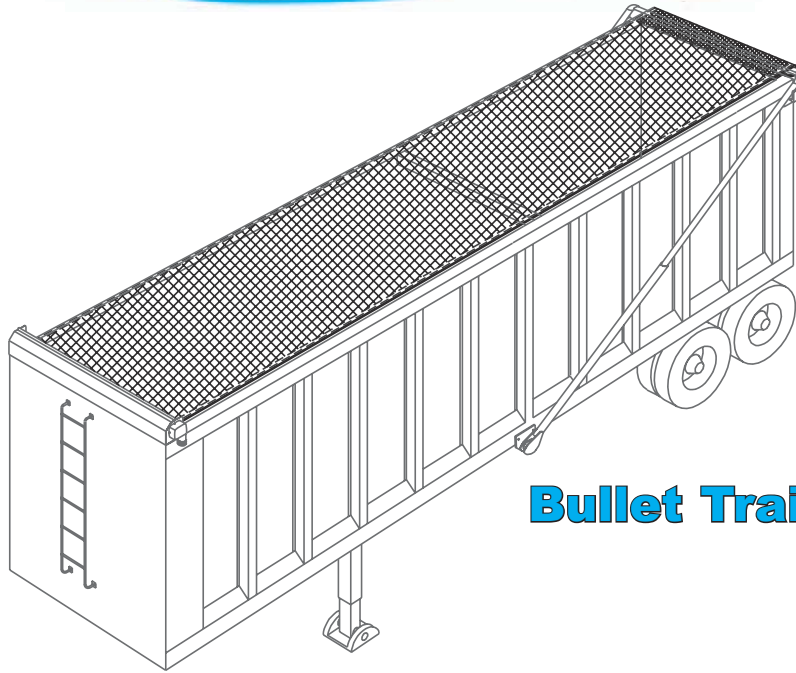


# BULLET Trailer

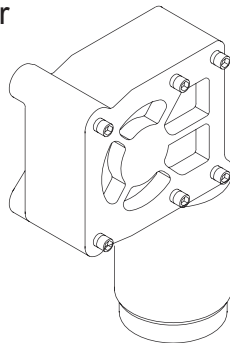


**Bullet Trailer**

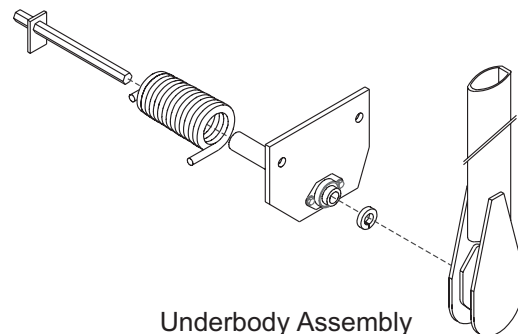
Aluminum Automatic covering system for dump trailers up to 38 feet long.

## Bullet Trailer Standard Features

- Aluminum Pivot Arms that Never Rust
- 12v Direct Drive Motor with 3-year warranty
- Extruded Aluminum Roller Bar
- Aluminum roller Bar Housing
- Complete bolt-on Assembly, No welding required
- Cab Mounted Control Switch
- 50amp Auto Reset Breaker
- Option 24 Volt Motor

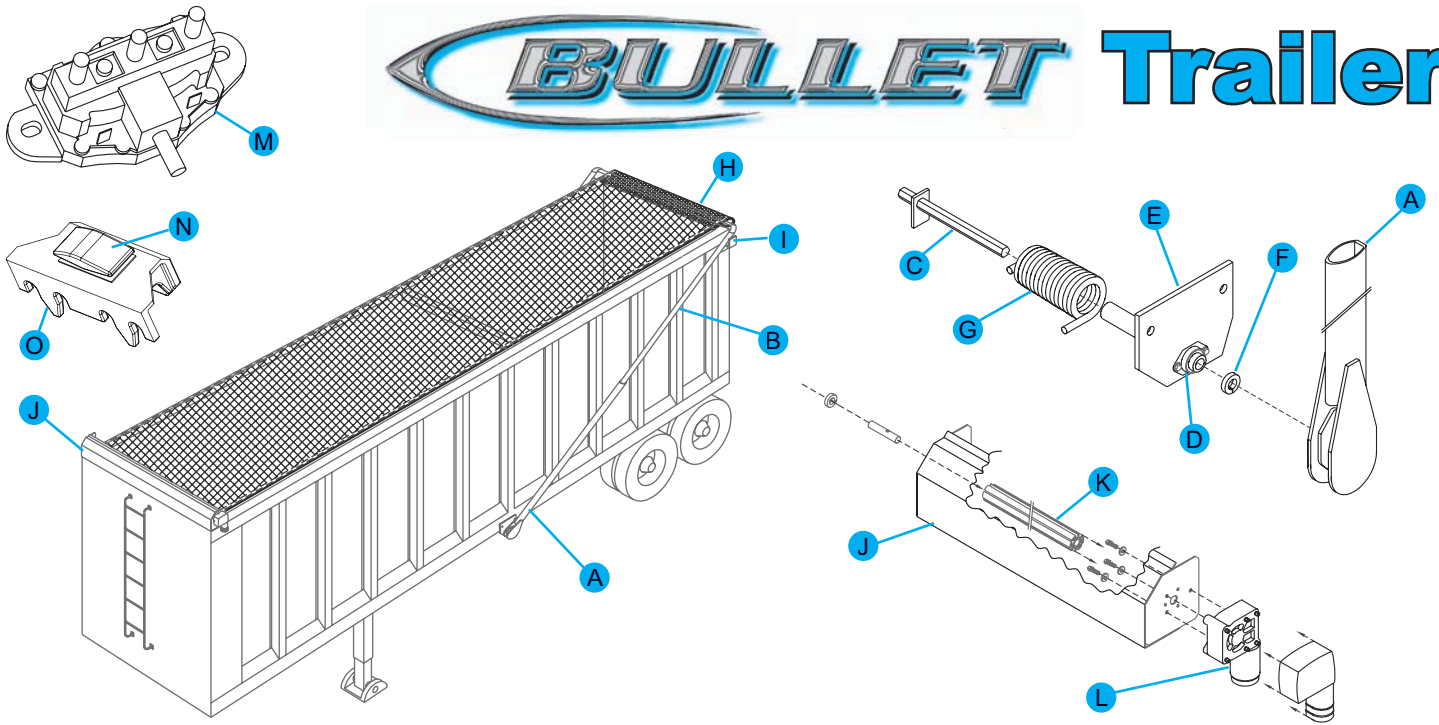


Bullet Trailer



Underbody Assembly

# BULLET Trailer



	Qty	Part #
<b>BULLET Trailer System, Complete</b>	1	2937
<b>A</b> Pivot Arm, L/H, Lower Assembly	1	3944
Pivot Arm, R/H, Lower Assembly	1	3945
<b>B</b> Pivot Arm, L/H, Upper, w/90 Elbow	1	3947
Pivot Arm, R/H, Upper, w/90 Elbow	1	3948
Underbody Spring Assembly L/H	1	8008
Underbody Spring Assembly R/H	1	8009
<b>C</b> Spring Shaft Welded Assembly	2	3657
Spring Stop	2	3662
<b>D</b> Lutco 7/8" Hex Bearing	2	3346
<b>E</b> Pivot Mounting Plate Assembly, Underbody	2	3658
<b>F</b> 1" Split Shaft Collar	2	41
<b>G</b> Spring, 20 coil, Underbody L/H	1	3383
Spring, 20 coil, Underbody R/H	1	3384
<b>H</b> Rear Cross Piece, 100"	1	3279
<b>I</b> Pivot Arm Rest	2	3218
<b>J</b> Trailer Housing Assembly	1	3654
<b>K</b> Roller Bar Extruded Aluminum	1	2365
Rubber Tarp Stops	2	3771N
Trailer Plug Set	1	3848
<b>L</b> Motor Direct Drive 800W	1	4422
Chrome Motor Cover	1	4278
Wire, 90', 4 gauge	1	1493
Durabuilt Switch Kit	1	1495
40 Amp circuit breaker	1	1856
<b>M</b> Solenoid	1	1464
<b>N</b> Rocker Switch	1	1897
<b>O</b> Rocker Switch Bracket	1	1532

## Pivot Arm Rests

Description	Qty	Part #
Bolt, Hex 3/8" x 1 1/2"	4	2464
Lock Nuts 3/8"	4	2874
Washer, Flat 3/8"	4	2875

## Housing Assembly Hardware

Description	Qty	Part #
Shaft Extension 3/4" x 4"	1	2838
3 Bolt, Flange Bearing	1	1752
Shaft Collar 3/4"	1	450
Carriage Bolt 5/16" x 2 1/2"	2	3237
Lock Nut 5/16"	2	2868
Washer Flat 5/16"	2	2867
Bolt, Hex 1/4" x 3/4"	3	2421
Lock Nut 1/4"	3	2316
Bolt, Hex 5/16" x 3/4"	3	2418
Screw, Sheet Metal #10 x 3/4"	3	2418

## Pivot Mount Hardware

Description	Qty	Part #
Bolt, Hex 1/2" x 2 1/2"	4	287
Washer Flat 1/2"	4	2878
Lock Nut 1/2"	4	2877

## Upper Arm to Rear Cross Piece Hardware

Description	Qty	Part #
Bolt, Shoulder 1/4" x 1 1/4"	4	1814
Nuts, Tee 1/4"	4	1915