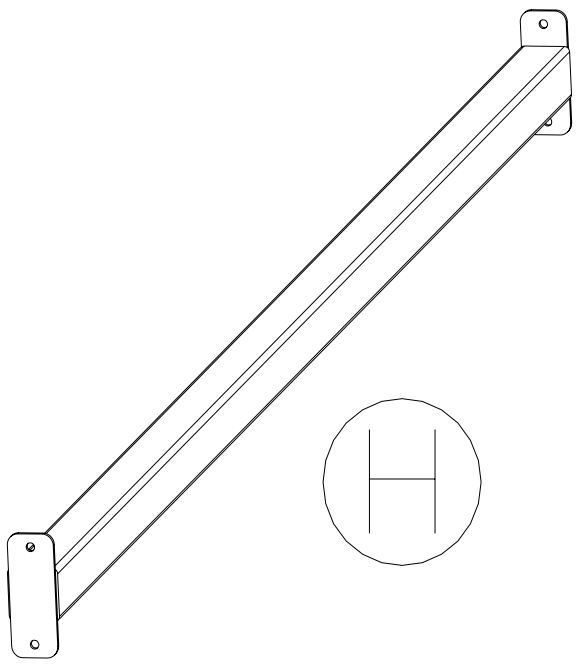
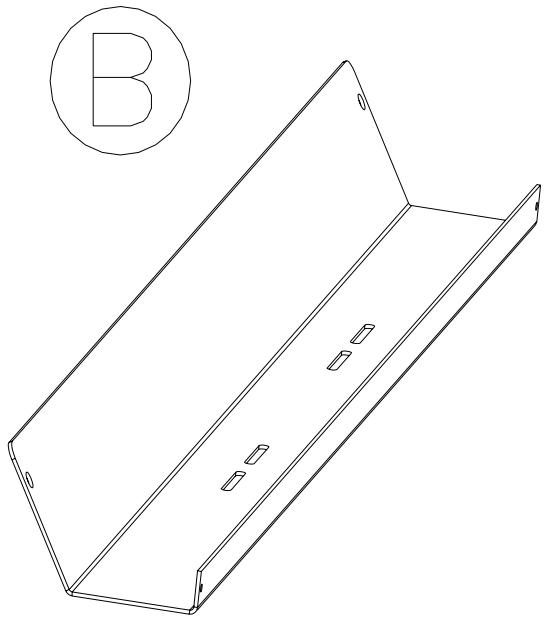
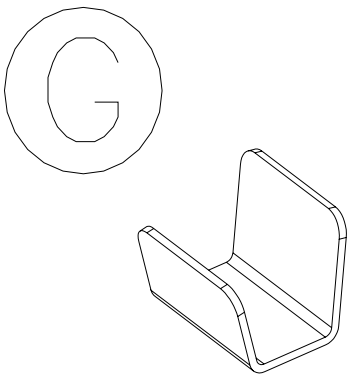
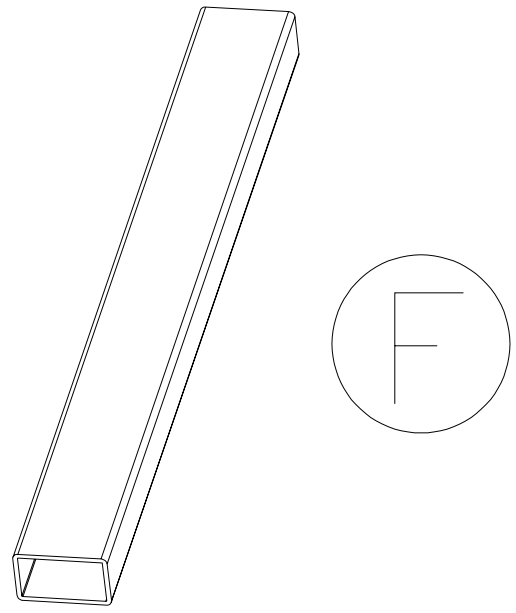
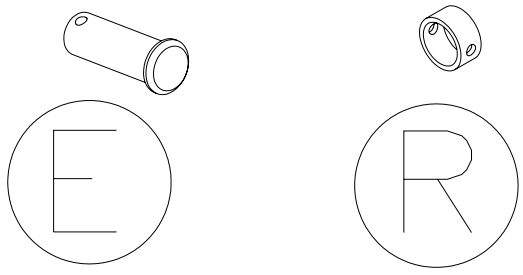
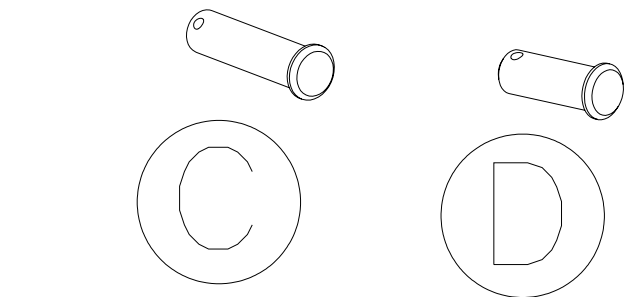
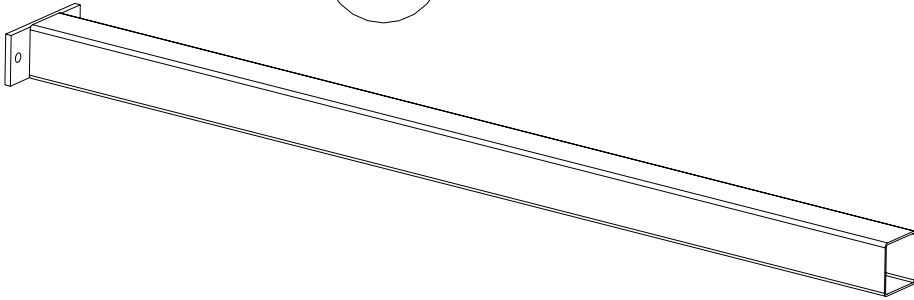


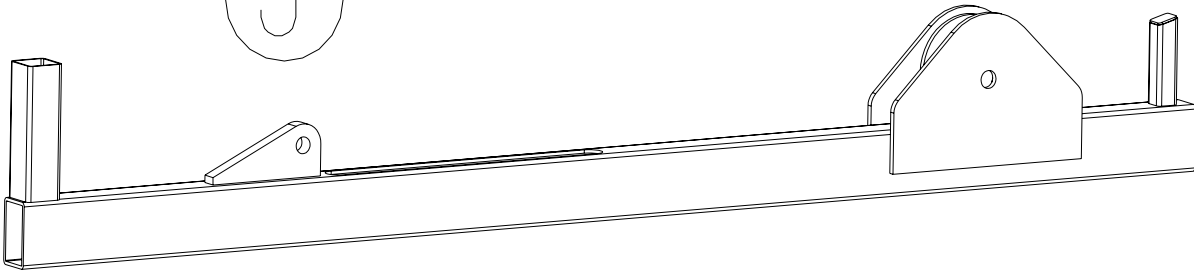
DONOVAN PART #	PARTS PER SYSTEM	BALLOON LETTER	DESCRIPTION
2730-crate	1	A	HOOK SHEETING SYSTEM (W/O HYDRAULIC KIT)
2731	1	B	ROLLER CRADLE
2732 REV A	2	C	100MM LONG PIN
2733 Rev A	8	D	70MM LONG PIN
2744 REV A	2	E	75MM LONG PIN
2750	4	F	MOUNTING SUPPORT TUBE (shown on pages 3 and 7)
2746	2	G	ARM REST BENT PLATE
2755	1	H	CROSS TUBE WELDMENT
2756	2	I	TOWER LEG WELDMENT
2757	2	J	PIVOT BASE WELDMENT
2758	1	K	UPPER ARM WELDMENT - LEFT
2759	2	L	LOWER ARM WELDMENT
2760	1	M	UPPER ARM WELDMENT - RIGHT
2762	1	N	ROLLER BAR ASSY.
2763	2	O	1 1/2" BORE, UPPER HYDRAULIC CYLINDER
2768	2	P	2" BORE, LOWER HYDRAULIC CYLINDER
2769	1	Q	TARP ATTACHMENT BAR
2735	12	R	LOCK RING (shown on pages 3)



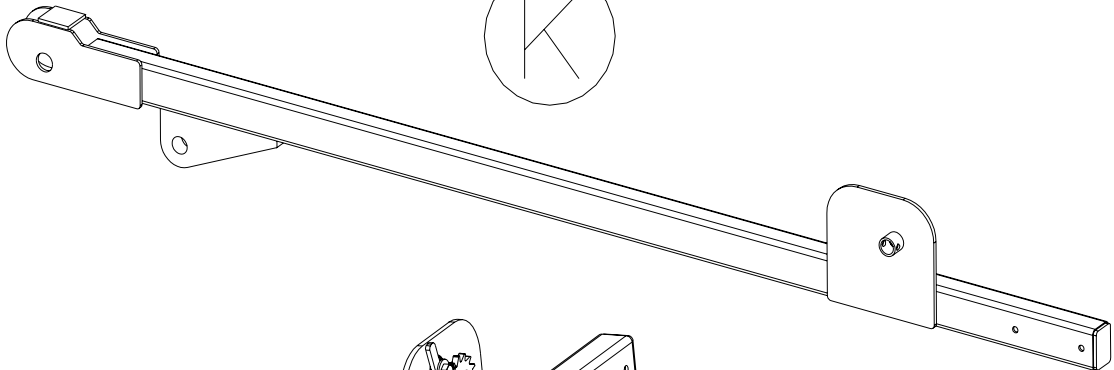
I



J



K



M

