

COVERING SYSTEMS



Complete System
Part# 761

Donovan Enterprises introduces the new Double Flip transfer tarp system. The Double Flip is a 2-lid automatic flip lid tarp system designed to cover open-top transfer trailers up to 102" wide and 53" long.

The new Double Flip tarp system is:

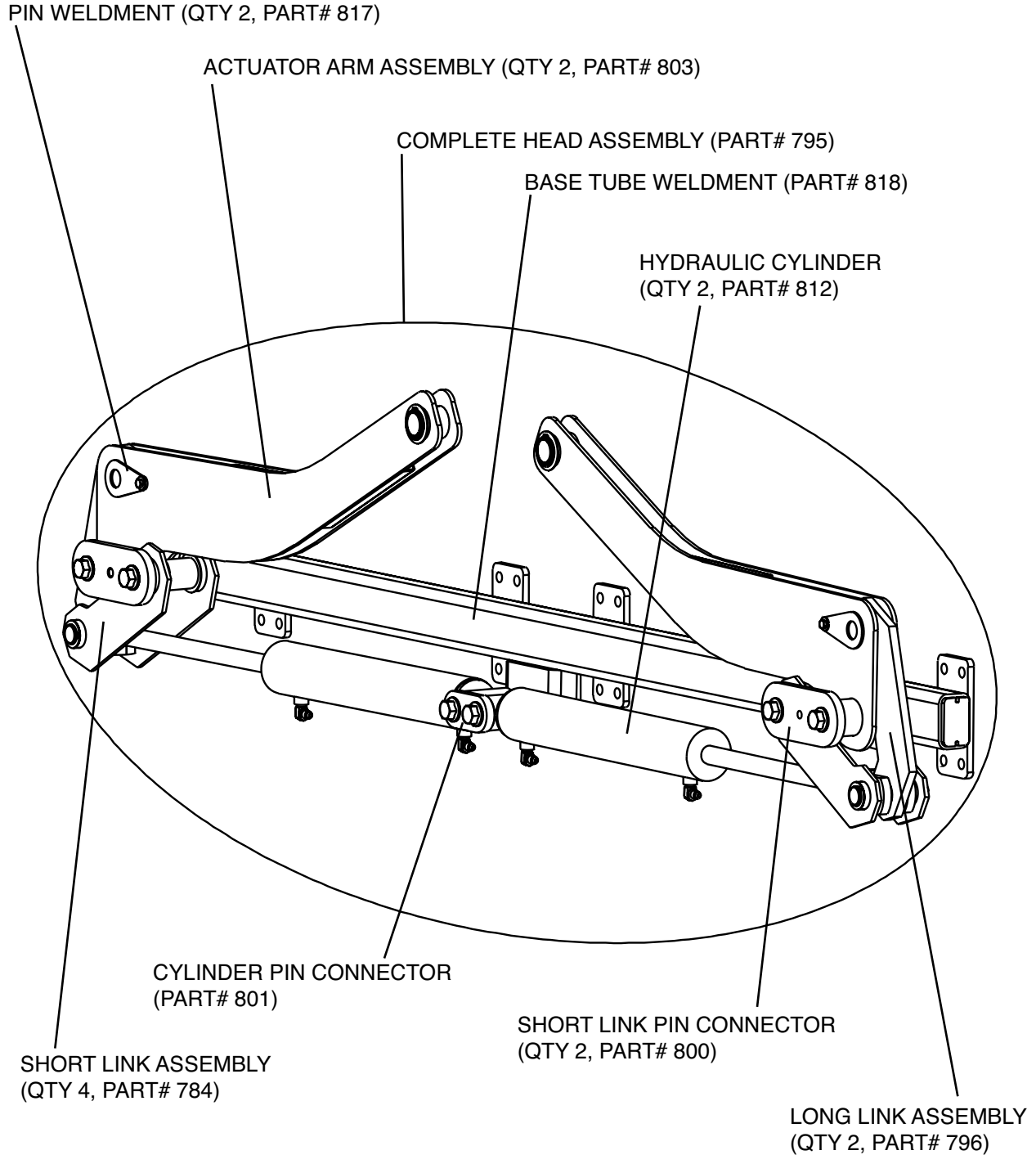
- SIMPLE!
- LOW MAINTENANCE!
- AFFORDABLE!

Double Flip highlights:

- Opens and closes in under 10 seconds
- Lids rest flush on trailer sides when opened
- Lids overlap when closed to prevent blowout
- 2-spool manual control valve allows independent operation of each lid
- Standard kit operates off of trailers hydraulics (wet kit)
Optional self-contained power kit available for tipper trailers
- Choice of solid (vinyl) or mesh tarp
- Installs in 16-20 man hours
- Uses same heavy duty frame and hinges as Donovan Sidewinder
- Kit includes valving, hoses, tarp, frame and other components needed for transfer trailers up to 53' x 102".
(Installer may need to provide some hardware.)

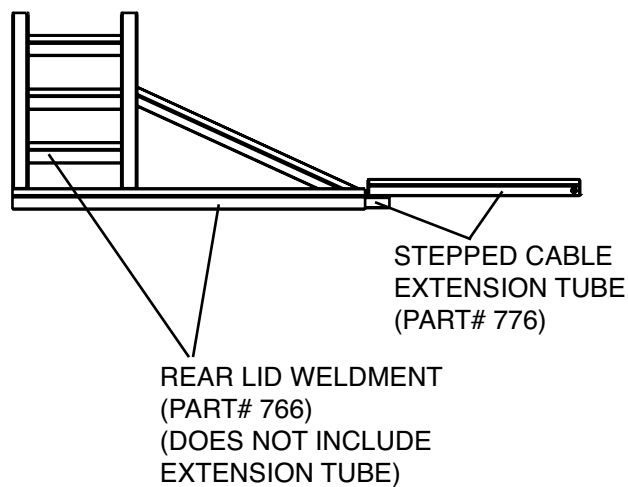
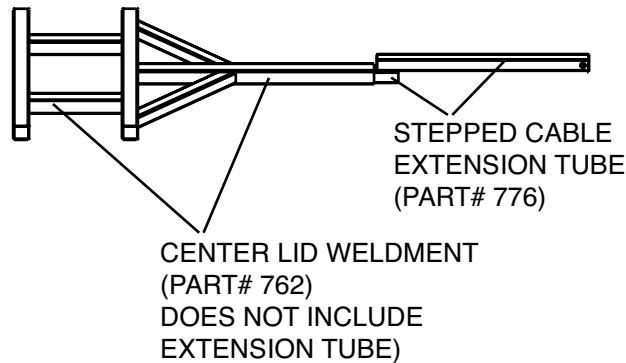
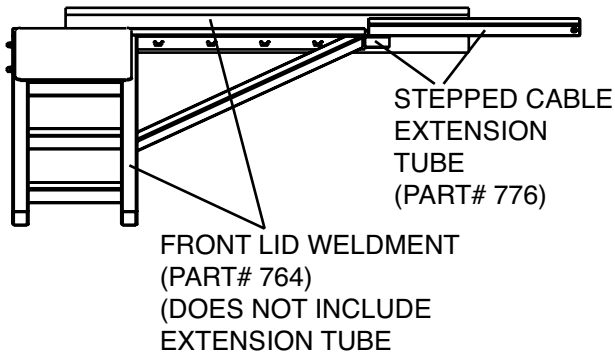


DOUBLE FLIP HEAD ASSEMBLY

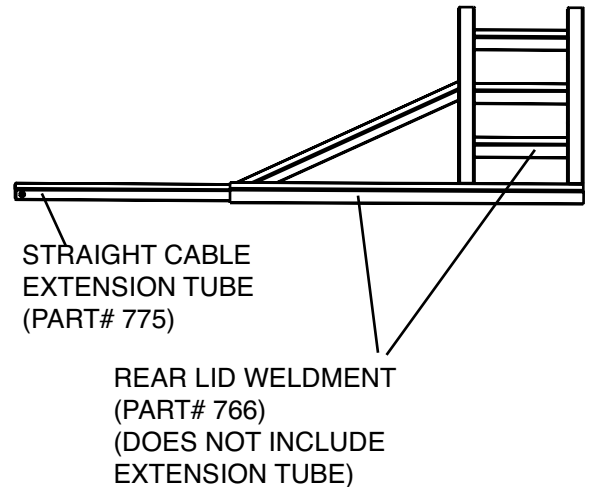
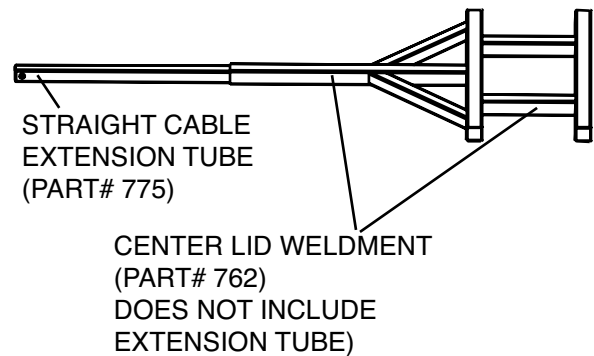
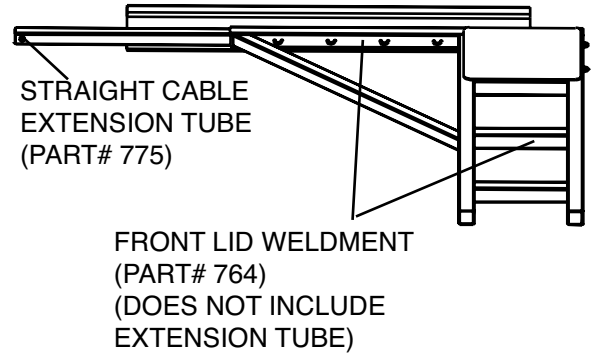


COVERING SYSTEMS

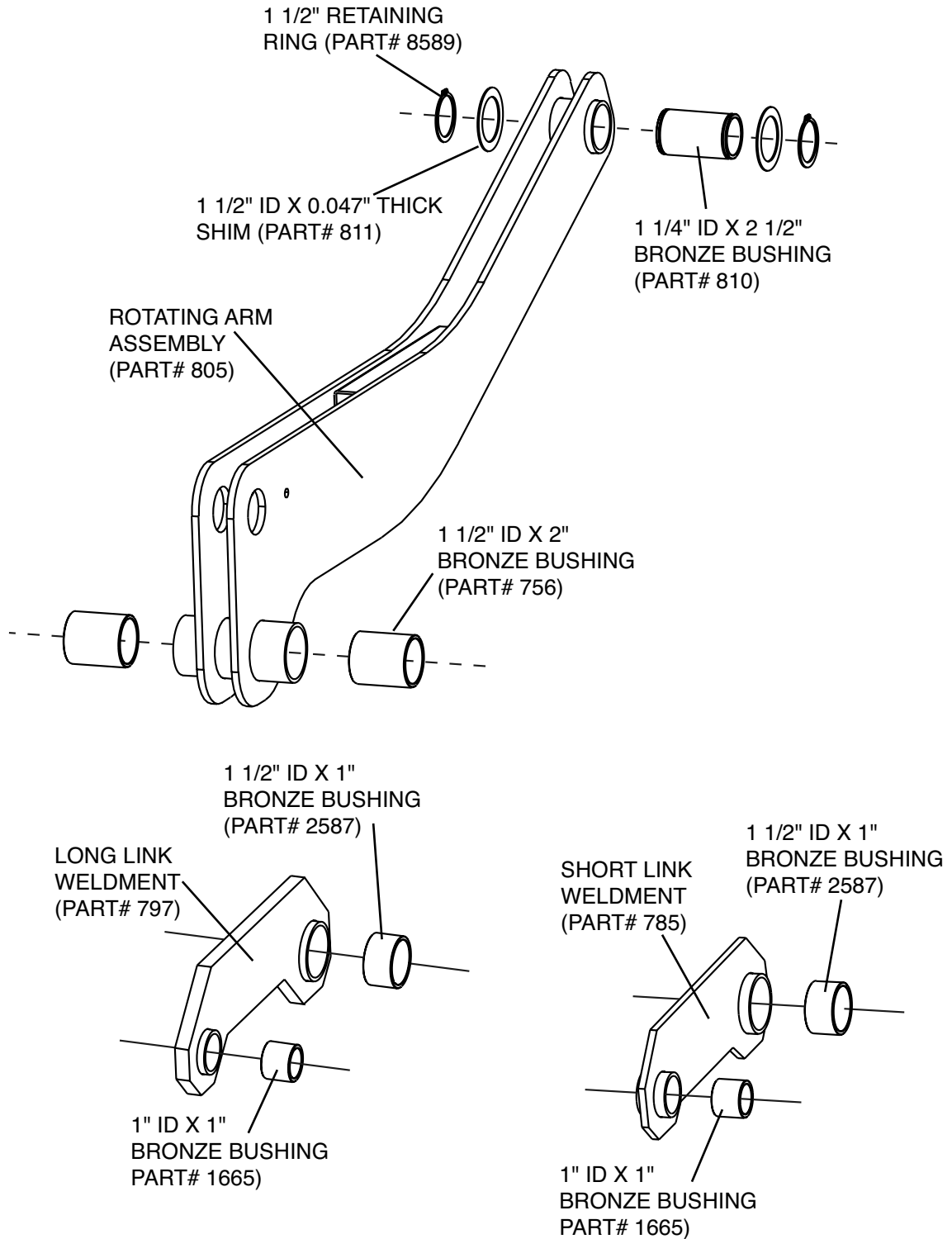
Driver Side



Passenger Side



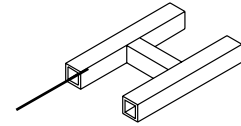
COVERING SYSTEMS



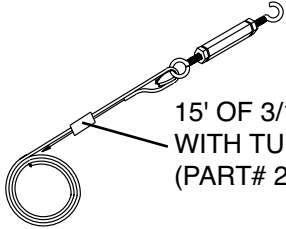
COVERING SYSTEMS



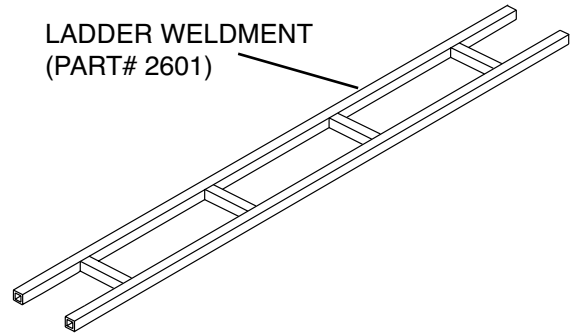
WIND DEFLECTOR
 (DOUBLE FLIP PART# 880)
 (SIDEWINDER PART# 1055)



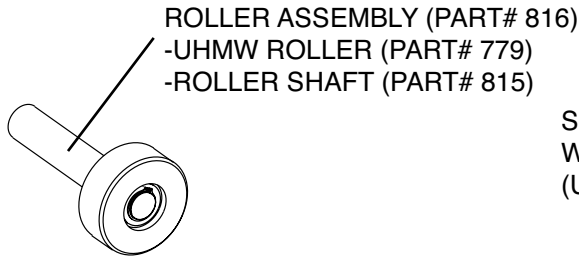
"H" CONNECTOR ASSEMBLY
 (SINGLE PART# 2603)
 (BOX OF 4 PART# 3313)



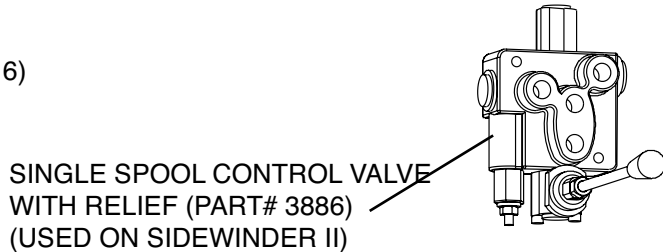
15' OF 3/16" CABLE
 WITH TURNBUCKLE
 (PART# 2631)



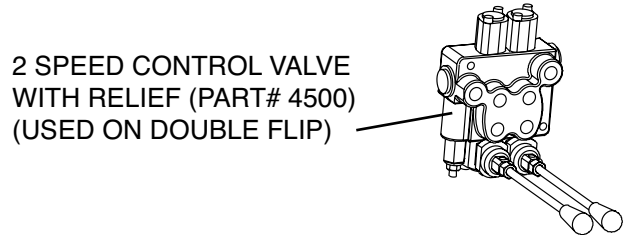
LADDER WELDMENT
 (PART# 2601)



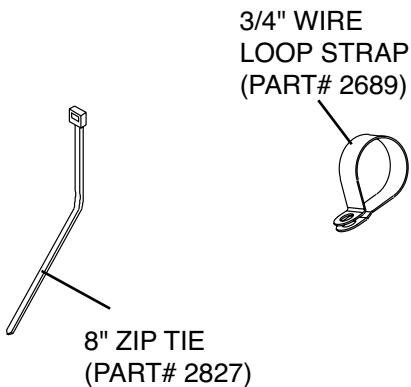
ROLLER ASSEMBLY (PART# 816)
 -UHMW ROLLER (PART# 779)
 -ROLLER SHAFT (PART# 815)



SINGLE SPOOL CONTROL VALVE
 WITH RELIEF (PART# 3886)
 (USED ON SIDEWINDER II)

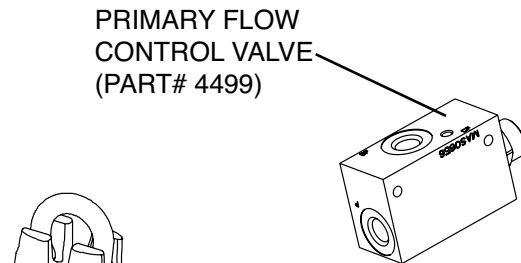


2 SPEED CONTROL VALVE
 WITH RELIEF (PART# 4500)
 (USED ON DOUBLE FLIP)



3/4" WIRE
 LOOP STRAP
 (PART# 2689)

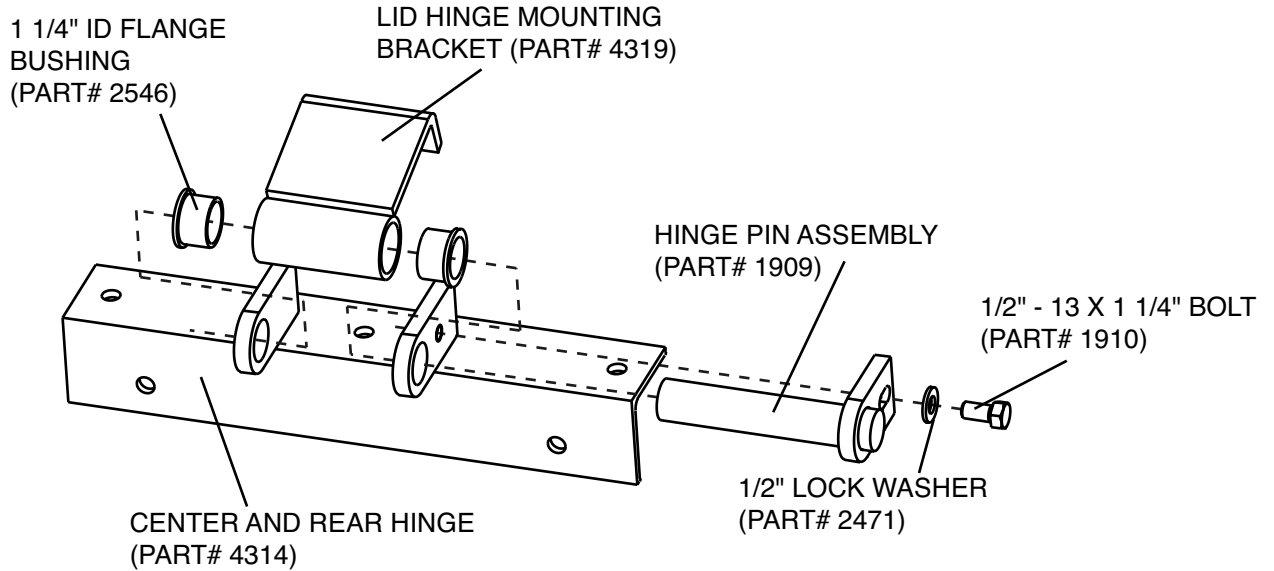
8" ZIP TIE
 (PART# 2827)



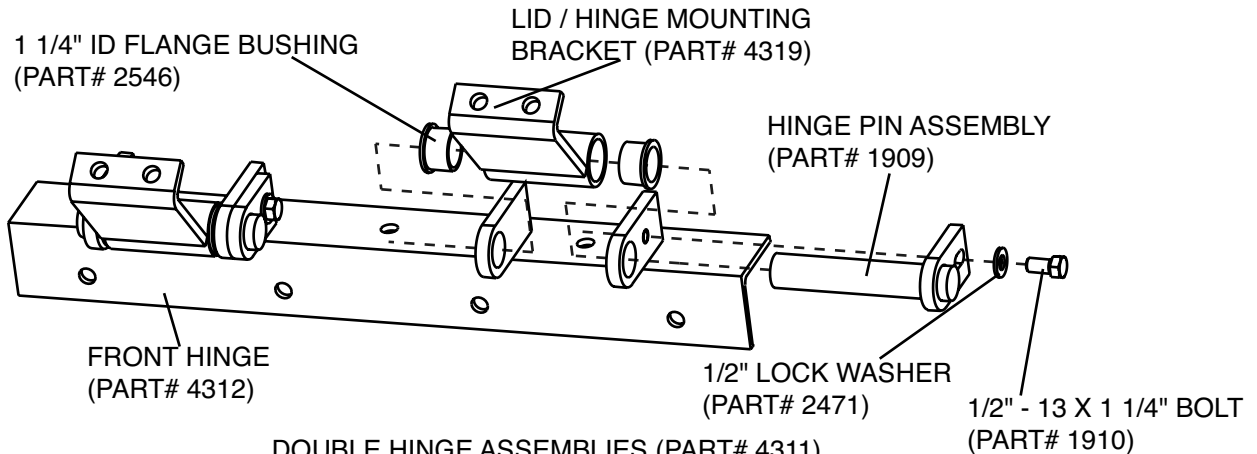
PRIMARY FLOW
 CONTROL VALVE
 (PART# 4499)

3/16" CABLE NUT
 (PART# 2630)

COVERING SYSTEMS



- SINGLE HINGE ASSEMBLY (PART#4313)
(REAR AND CENTER HINGE ON DOUBLE FLIP)
(CENTER HINGE FOR SIDEWINDER II)
CONSISTS OF THE FOLLOWING PARTS:
- (1) HINGE PIN ASSEMBLY (PART# 1909)
 - (1) CENTER OR REAR HINGE (PART# 4314)
 - (1) LID HINGE (PART# 4319)
 - (2) BUSHINGS (PART# 2546)
 - (1) 1/2" - 13 X 1 1/4" BOLT (PART# 1910)
 - (1) 1/2" LOCK WASHER (PART# 2471)



- DOUBLE HINGE ASSEMBLIES (PART# 4311)
(FRONT HINGE ON DOUBLE FLIP)
(FRONT AND REAR HINGE FOR SIDEWINDER II)
CONSISTS OF THE FOLLOWING PARTS:
- (2) HINGE PIN ASSEMBLY (PART# 1909)
 - (1) FRONT HINGE (PART 4312)
 - (2) LID HINGE (PART# 4319)
 - (4) BUSHINGS (PART# 2546)
 - (2) 1/2" - 13 X 1 1/4" BOLT (PART# 1910)
 - (2) 1/2" LOCK WASHER (PART# 2471)